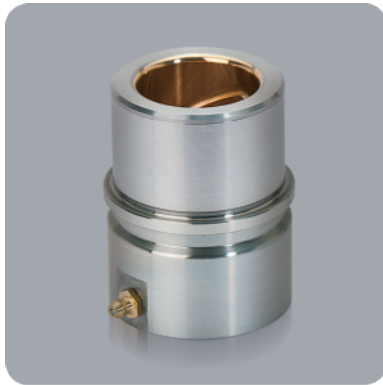


RFB 2081.81. / RFB 2081.91.

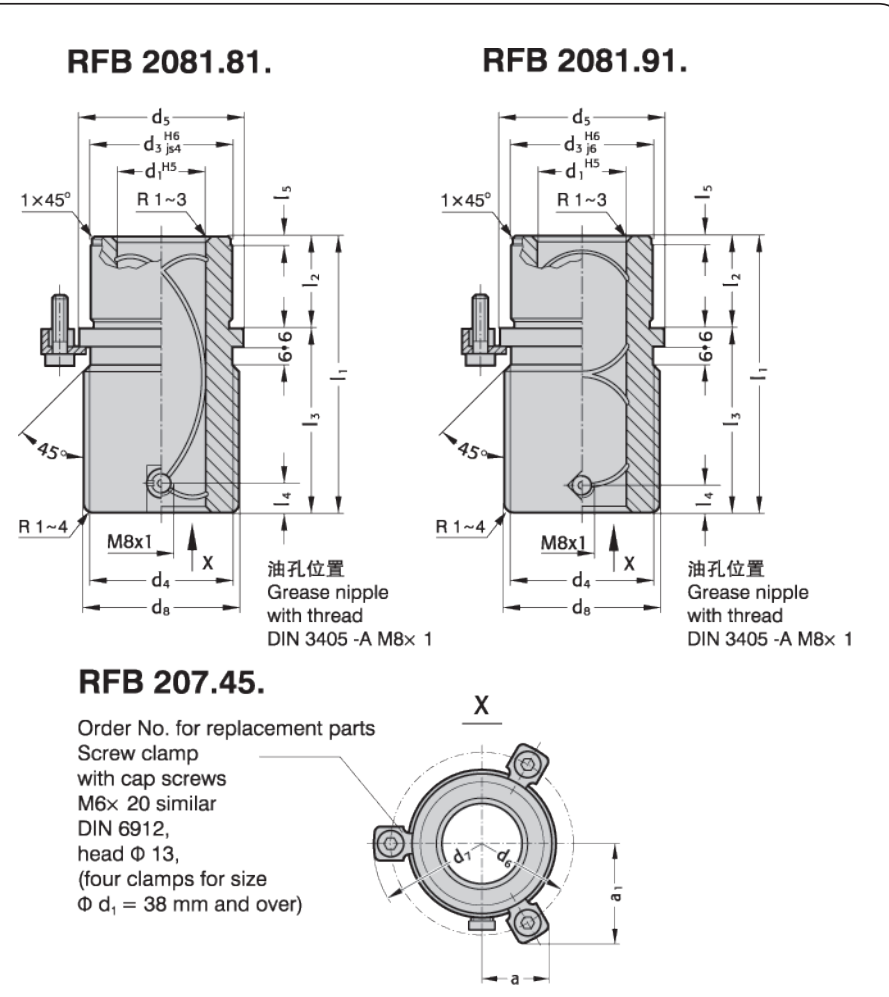
钢基铜合金高精度导套 Steel with bronze backed high precision bearings



RFB 2081.81.
RFB 2081.91.

材料: S45C+ 合金铜
Material: S45C Steel+Bronze Alloy

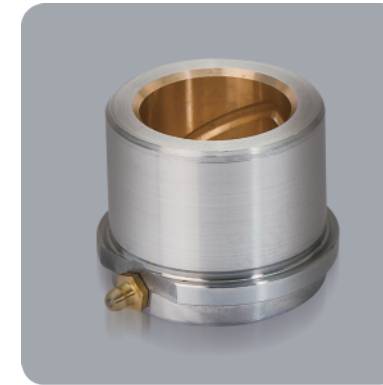
推荐座孔公差: H6级
Housing tolerance: H6



RFB 2081.81.	RFB 2081.91.													
d_1	d_1	19	20	24	25	30	32	38	40	48	50	60	63	80
tol.	tol.	+0.012	+0.012	+0.015	+0.015	+0.015	+0.015	+0.018	+0.018					
		+0.003	+0.003	+0.004	+0.004	+0.004	+0.004	+0.005	+0.005					
d_3	d_3	32	40	48	58	70	85	105						
d_4	d_4	"	"	"	"	"	"	"						
d_5	d_5	40	48	56	66	80	95	118						
d_6	d_6	52	60	67	77	91	106	129						
d_7	d_7	64.7	72.7	79.7	89.7	103.7	118.7	141.7						
d_8	d_8	39	46	53	63	77	92	115						
a	a	20.7	22.65	24.4	35.3	40.2	45.5	54.5						
a_1	a_1	30	33.4	36.4	"	"	"	"						
l_1	l_1	59	79	93	108	127	150	150						
l_2	l_2	23	23	30	37	47	60	60						
l_3	l_3	36	56	63	71	80	90	90						
l_4	l_4	10	10	10	10	10	10	10						
l_5	l_5	3	3	4	4	5	5	5						

RFB 2081.85. / RFB 2081.95.

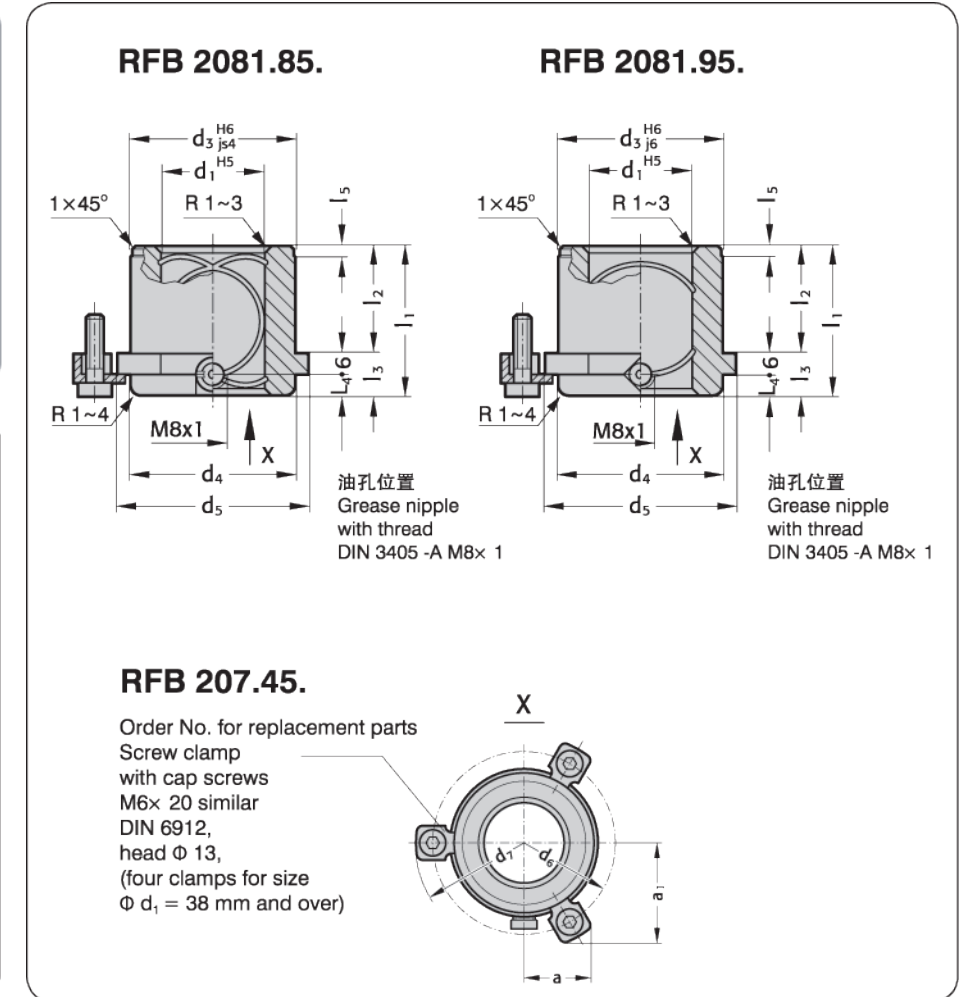
钢基铜合金高精度导套 Steel with bronze backed high precision bearings



RFB 2081.85.
RFB 2081.95.

材料: S45C+ 合金铜
Material: S45C Steel+Bronze Alloy

推荐座孔公差: H6级
Housing tolerance: H6



RFB 2081.85.	RFB 2081.95.													
d_1	d_1	19	20	24	25	30	32	38	40	48	50	60	63	80
tol.	tol.	+0.012	+0.012	+0.015	+0.015	+0.015	+0.015	+0.018	+0.018					
		+0.003	+0.003	+0.004	+0.004	+0.004	+0.004	+0.005	+0.005					
d_3	d_3	32	40	48	58	70	85	105						
d_4	d_4	"	"	"	"	"	"	"						
d_5	d_5	40	48	56	66	80	95	118						
d_6	d_6	52	60	67	77	91	106	129						
d_7	d_7	64.7	72.7	79.7	89.7	103.7	118.7	141.7						
a	a	20.7	22.65	24.4	35.3	40.2	45.5	54.5						
a_1	a_1	30	33.4	36.4	"	"	"	"						
l_1	l_1	35	35	42	52	65	80	80						
l_2	l_2	23	23	30	37	47	60	60						
l_3	l_3	12	12	12	15	18	20	20						
l_4	l_4	6	6	6	8	8	10	10						
l_5	l_5	3	3	3	4	4	5	5						