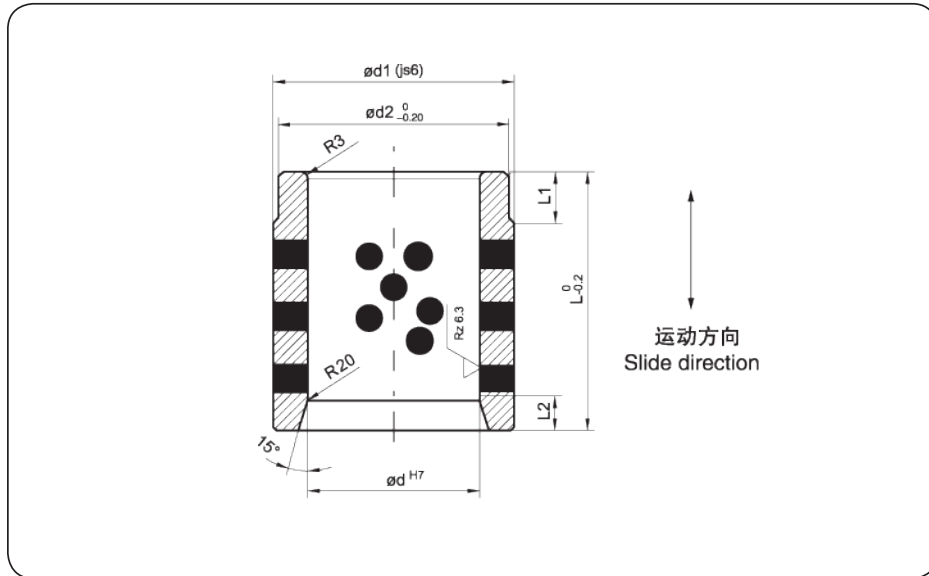
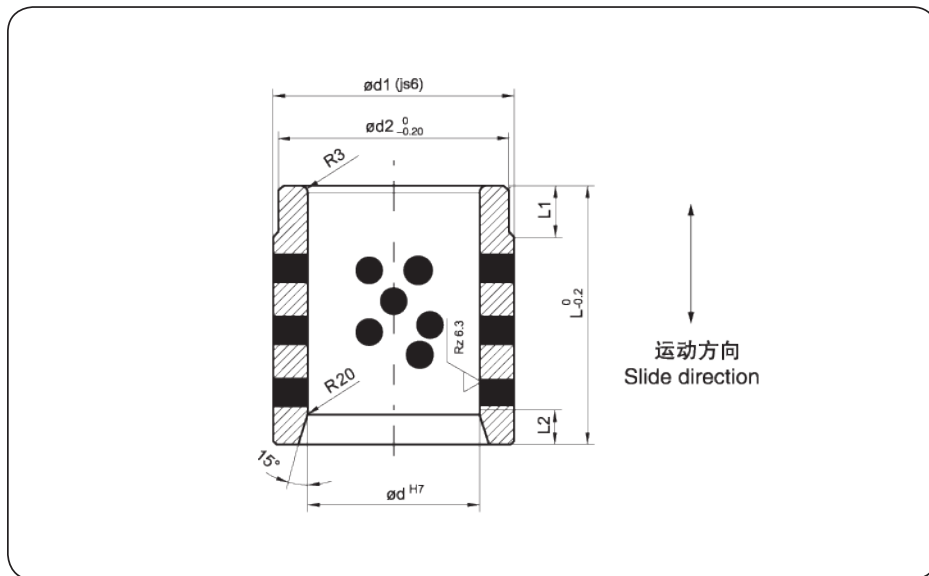




RGPBW
材料: 高力黄铜+ 固体润滑剂
Material: CuZn25Al5Mn3Fe3 + Graphite (500#SP)



RGPBF
材料: 铸铁+ 固体润滑剂
Material: HT250+Graphite (FC250)

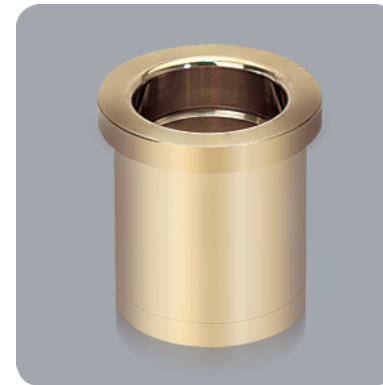


产品代号 Part No.	产品代号 Part No.	d	d1	d2	L	L1	L2
RGPBW-30	RGPBF-30	30	50	49	50	10	5
RGPBW-35	RGPBF-35	35	60	59	55	15	"
RGPBW-40	RGPBF-40	40	"	"	60	10	"
RGPBW-50	RGPBF-50	50	70	69	75	15	10
RGPBW-60	RGPBF-60	60	80	79	90	20	"
RGPBW-80	RGPBF-80	80	100	99	120	25	"
RGPBW-100	RGPBF-100	100	120	119	150	"	"
RGPBW-120	RGPBF-120	120	140	139	180	"	"

How to order: Part No. d L
订单方式: RGPBW 30 50

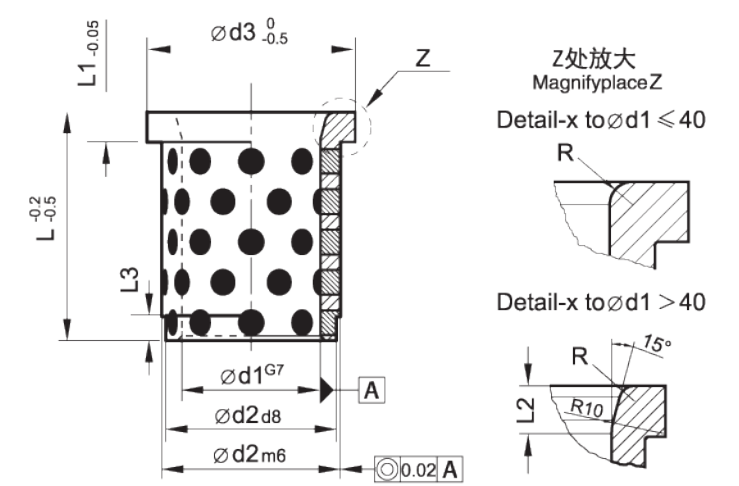


RFB 2102.70.
材料: 高力黄铜+ 固体润滑剂
Material: CuZn25Al5Mn3Fe3 + Graphite (500#SP)
推荐座孔 H6

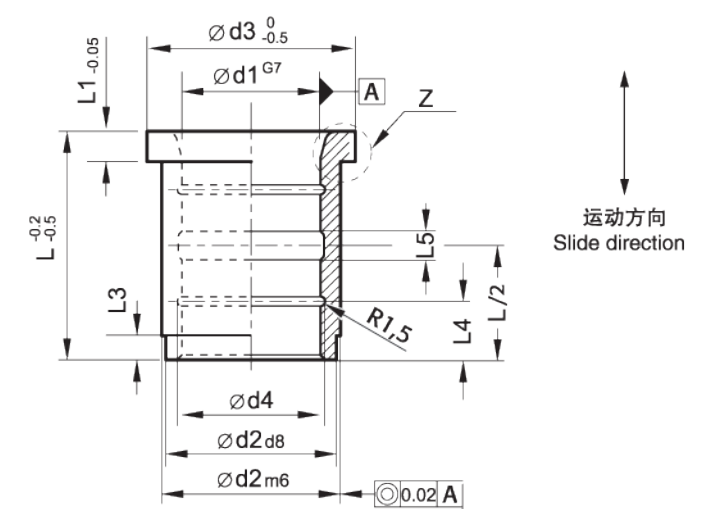


RFB 2102.71.
材质: 纯高力黄铜 Soilde Bronze
Material: CuZn25Al5Mn3Fe3
推荐座孔 H6

RFB 2102.70



RFB 2102.71



产品代号 Part No.									
RFB 2102.70.	RFB 2102.71.								
d1	d1	20	25	32	40	50	63	80	100
d2	d2	28	35	44	52	63	80	100	125
d3	d3	32	40	50	60	71	90	112	140
d4	d4	22	27	34	42	52	65	82	102
L1	L1	4	5	6	8	10	12	16	20
L2	L2	---	---	---	---	8	10	10	10
L3	L3	3	5	8	8	8	10	10	10
	L4	---	---	12	16	20	25	32	40
	L5	5	5	5	8	10	12	16	20
R	R	2	2	3	3	3	3	4	4

How to order: Part No. d1
订单方式: RFB 2102.70. 20

How to order: Part No. d1
订单方式: RFB 2102.71. 20