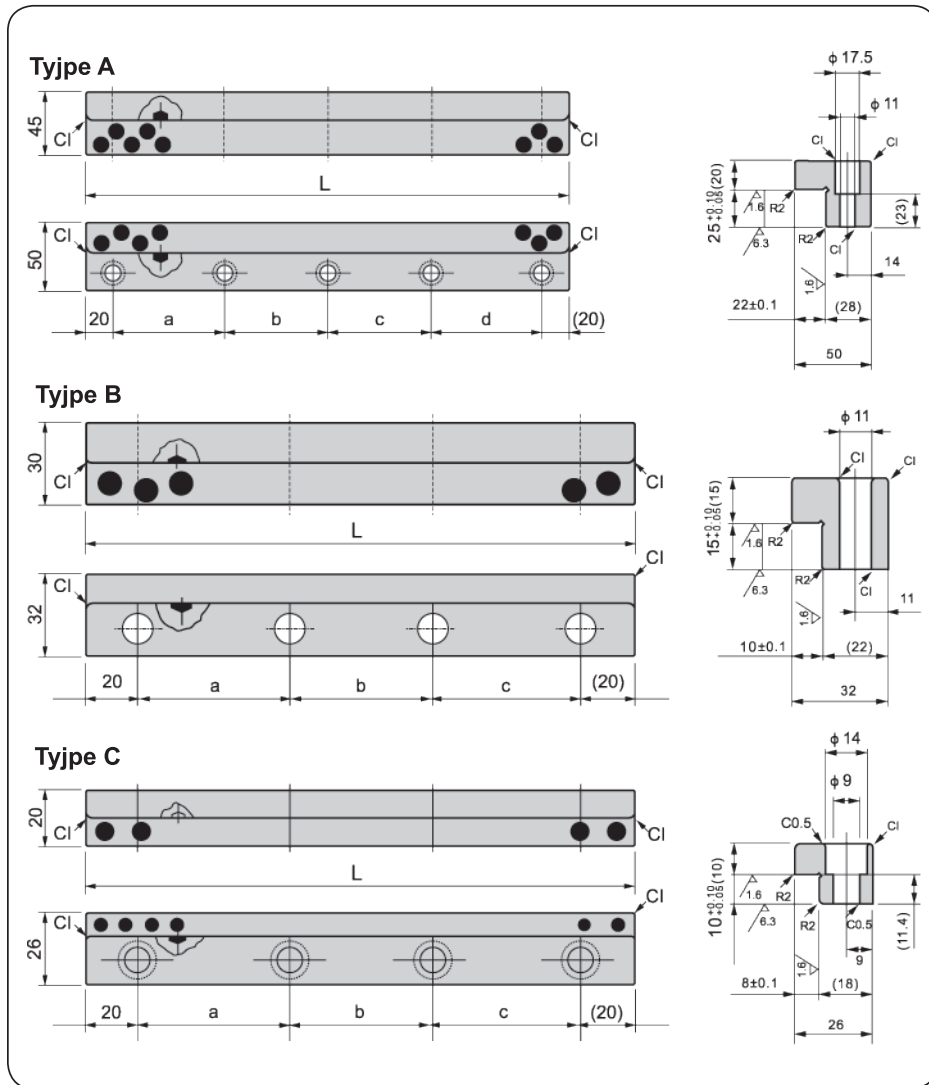


材料: 高力黄铜+ 固体润滑剂  
Material: CuZn25Al5Mn3Fe3  
+ Graphite (500#SP)

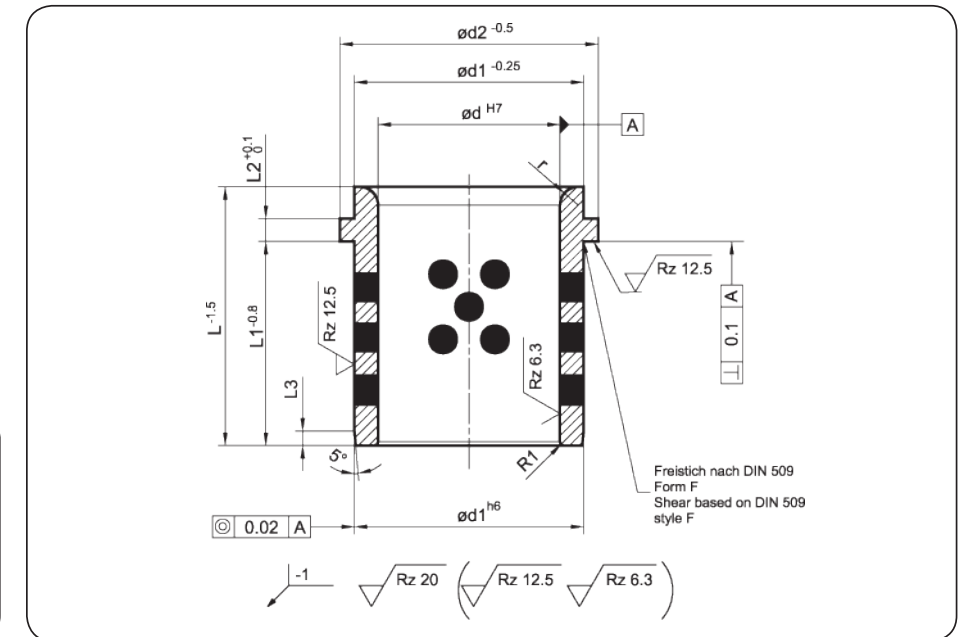


产品代号 Part No.	Type	W	L	a	b	c	d	Bolt 螺栓孔	
								Size 尺寸	Q'ty 数量
RSZ-3SL-26100	C	26	100	60	---	---	---	M8	2
RSZ-3SL-26150	"	"	150	55	55	---	---	"	3
RSZ-3SL-26200	"	"	200	"	50	55	---	"	4
RSZ-3SL-32100	B	32	100	60	---	---	---	M10	2
RSZ-3SL-32150	"	"	150	55	55	---	---	"	3
RSZ-3SL-32200	"	"	200	"	50	55	---	"	4
RSZ-3SL-32250	"	"	250	70	70	70	---	"	"
RSZ-3SL-50200	A	50	200	55	50	55	---	"	"
RSZ-3SL-50250	"	"	250	70	70	70	---	"	"
RSZ-3SL-50300	"	"	300	65	65	65	65	"	5
RSZ-3SL-50350	"	"	350	80	75	75	80	"	"

How to order: Part No. W L  
订单方式: RSZ-3SL 26 100

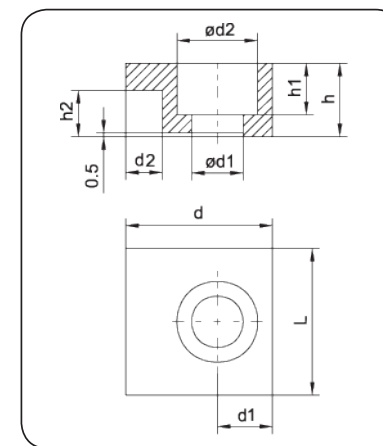


RGB9834  
材料: 高力黄铜+ 固体润滑剂  
Material: CuZn25Al5Mn3Fe3  
+ Graphite (500#SP)



产品代号 Part No.	d	d1	d2	L	L1	L2	L3	r
RGB9834 798	25	32	40	32	22	6,3	4	3
RGB9834 799	"	"	"	40	30	"	"	"
RGB9834 797	"	"	"	"	32	"	"	"
RGB9834 796	24	"	"	"	"	"	"	"
RGB9834 800	32	40	50	50	40	"	"	"
RGB9834 801	40	50	63	63	50	"	5	"
RGB9834 802	50	63	71	71	56	"	6,3	5
RGB9834 803	63	80	90	80	63	10	8	6
RGB9834 804	80	100	112	100	80	"	10	8
RGB9834 808	100	125	140	125	100	"	12,5	10
RGB9834 805	"	"	"	"	106	"	"	"
RGB9834 806	125	160	180	160	132	"	16	12
RGB9834 807	160	200	220	200	170	"	"	18

How to order: Part No. d L L1  
订单方式: RGB9834 25 32 22



产品代号 Part No.	d h9	L 0 -0.4	h h11	d1	d2 +0.3 0	h1 +0.2 0	h2 0 -0.3	d1 +0.2 0	d2 +0.2 0
RGB9832 798	20	20	10	7,5	5	7	6,3	7	11
RGB9832 799	32	32	16	11	10	11,5	10	11,5	17,5
RGB9832 784	25	20	12	10	5	8,5	6,3	9	15
RGB9832 785	32	25	16	11	10	11,5	6,3	11	18

How to order: Part No. d  
订单方式: RGB9832 20

Material: 材料 Steel C45  
Clamp ident. with DIN 9832